

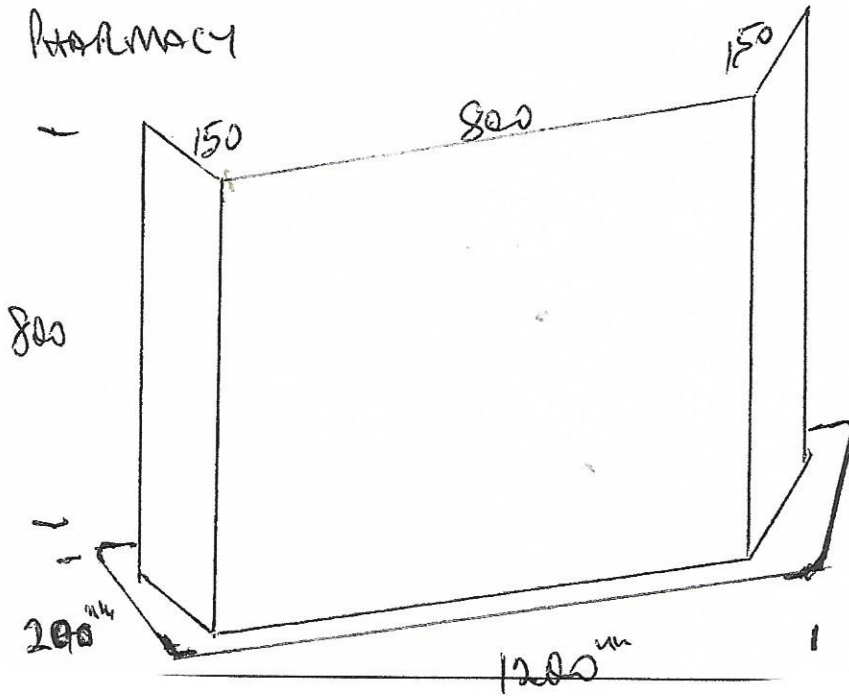
PHARMACY / OFFICE



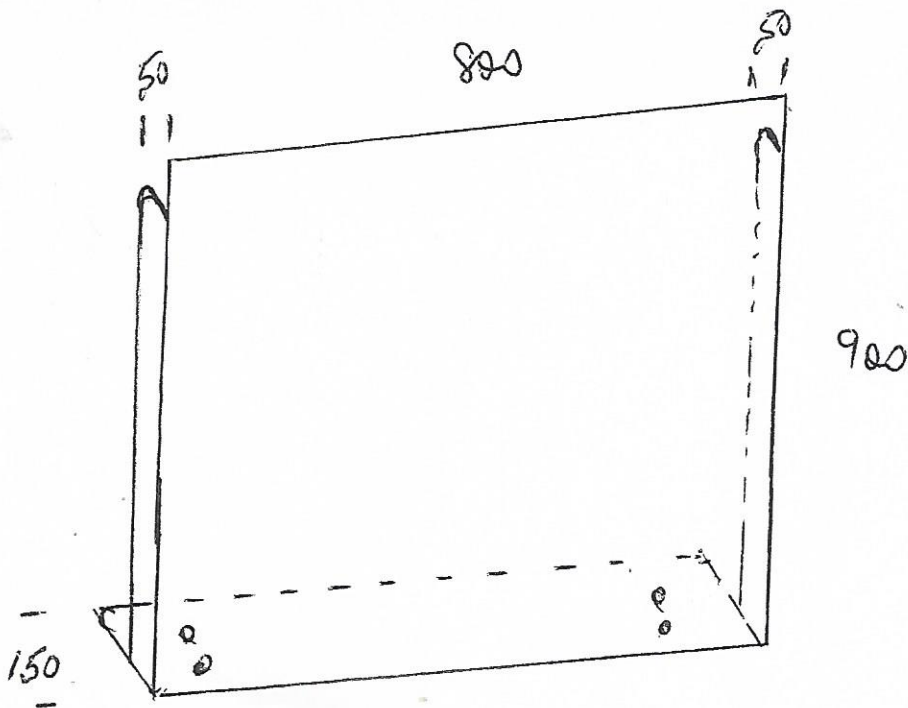
600 HIGH

LENGTH OF SCREEN VARIES.  
FROM 800 WIDE - 1200 WIDE  
MATERIAL 6<sup>mm</sup> CLEAR ACRYLIC.

PHARMACY

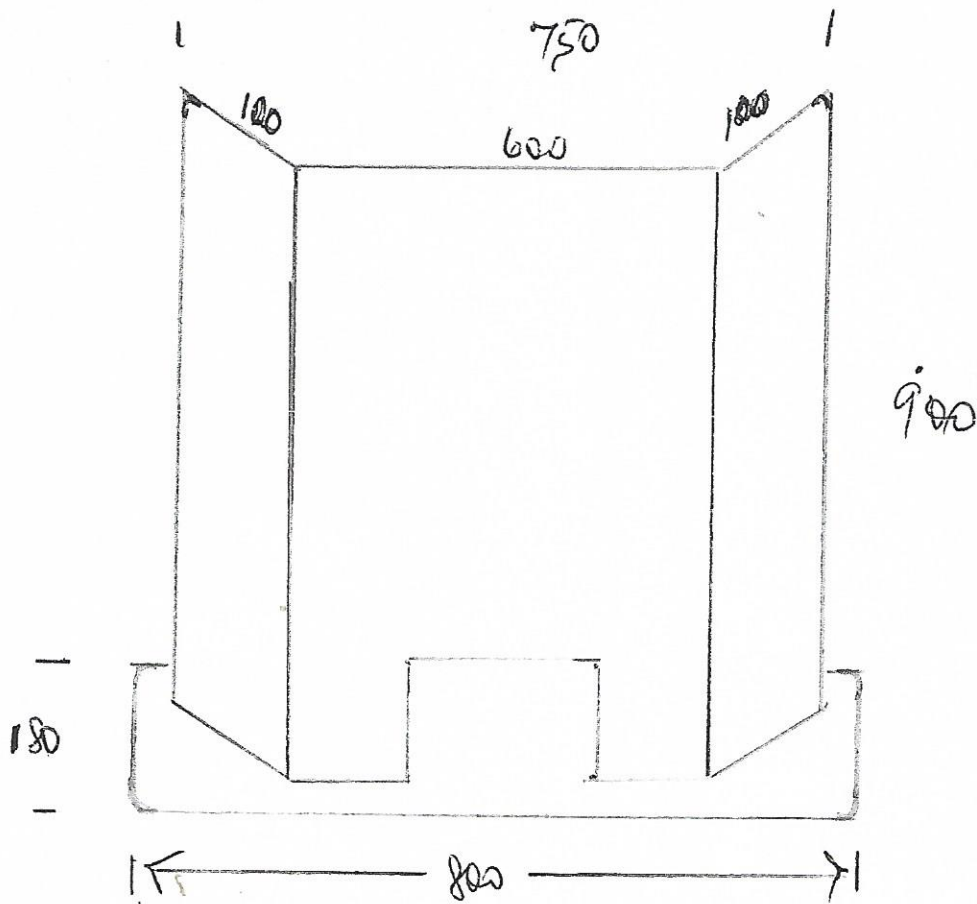


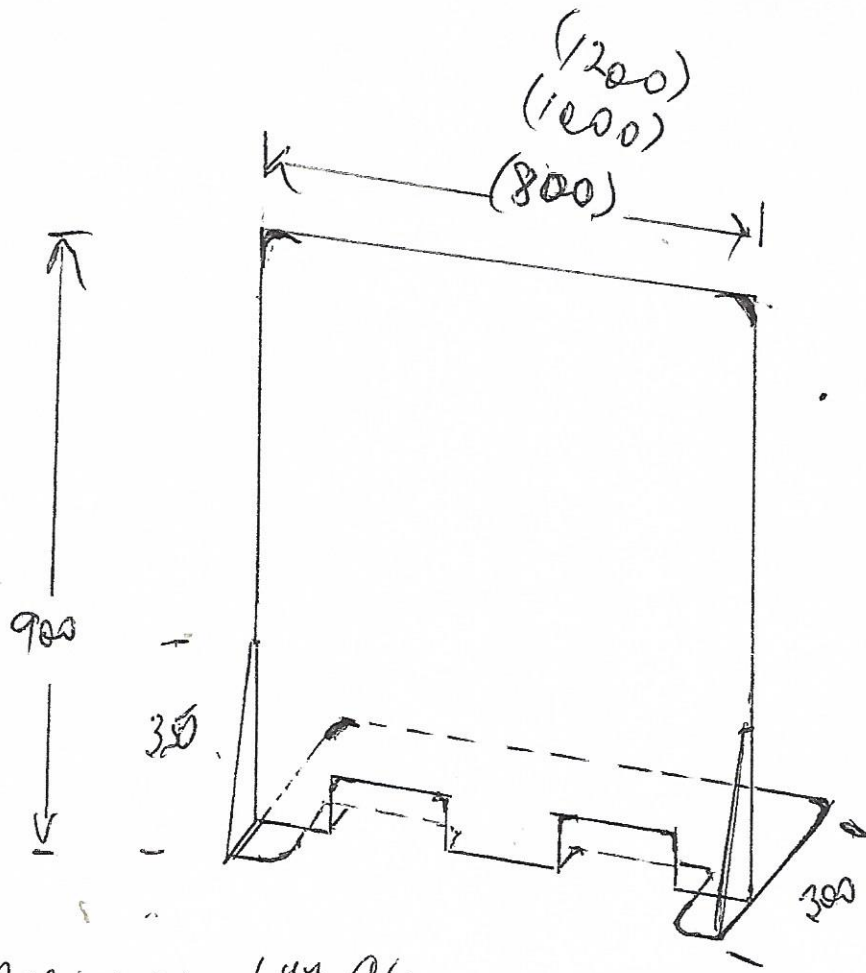
THESE ALSO VARY  
IN WIDTH IN  
6<sup>mm</sup> CLEAR ACRYLIC



MATERIAL 4-5" Clear Acrylic  
SIDE STRIPS 50" GLED TO  
BACK OF FACE PANEL.  
150 RETURN AT RTX  
TO SCREW TO COUNTER.

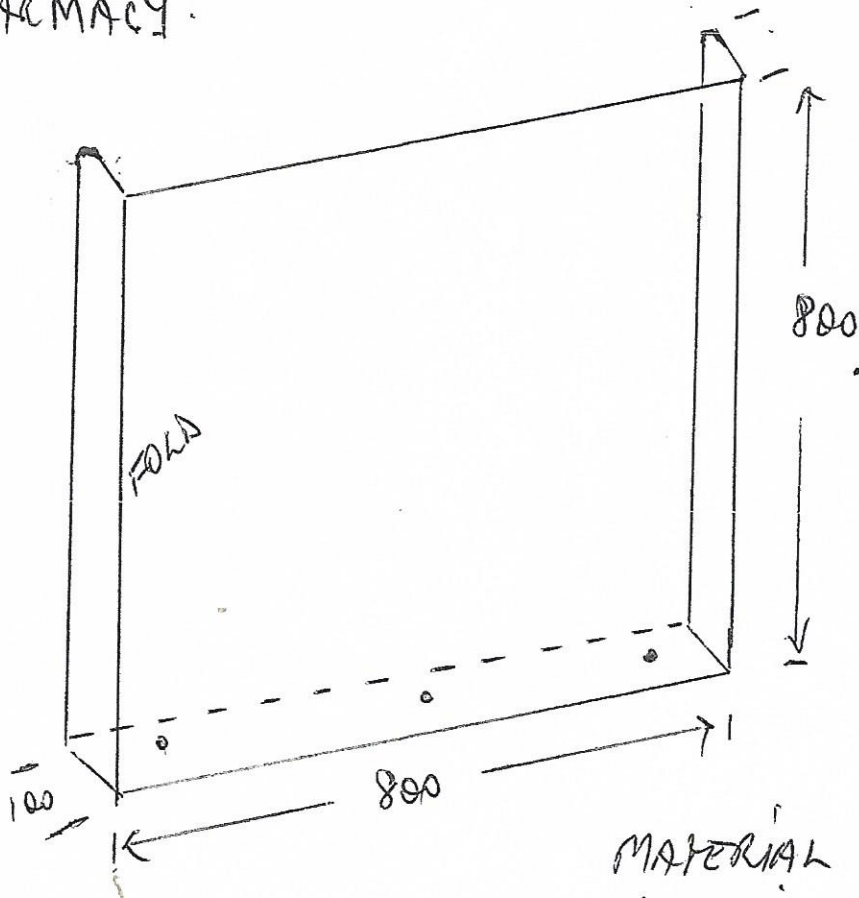
PHARMACY SCREEN. 4.5 x 6<sup>m</sup> Clear Acrylic





MATERIAL 6<sup>th</sup> CLEAR.  
 WEDGES AND SUPPORTS ARE GIVE FIXED.

"PHARMACY"



MATERIAL 6" CLEAR  
ACRYLIC. BASE GIVEN WITH  
HOLES TO ATTACH TO  
COUNTER.  
CAN USE D/S TAPE.